

ADZI-S

Sistema Integrado Racing Ready (Dash + Sensores)

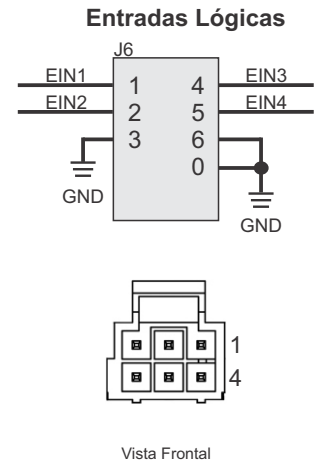
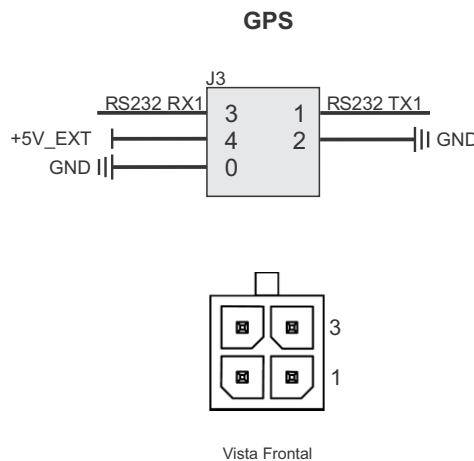
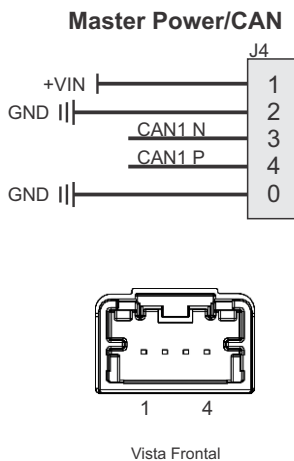
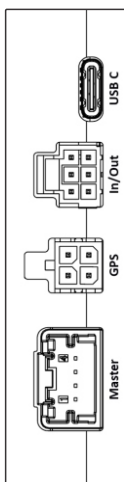


Características del Display

Tamaño	7"
Tipo	TFL LCD
Resolución	800*480
Área Visible	154 x 86 mm
Temperatura de Trabajo	85°C
Ángulo de Visión	12 O' cloc
Brillo	800 Cd/m2
Relación de Contraste	700
Anti reflexión	si
Tolerancia a la Vibración	si

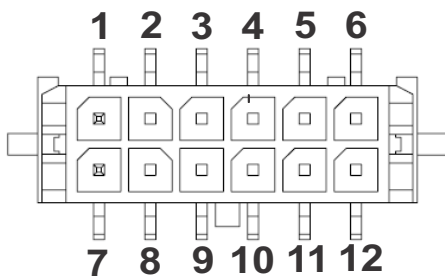
Conectores Pin Out

Función	Descripción	Manufacture	Familia	Pines	Header	Housing	Pin (Reel)
Master	Power - CAN1	Molex	Mini 50 "A"	4	349128040	347910040	5600230448(x4)
GPS	Rx - Tx- Vcc	Molex	Micro Fit 3.0	4	430450409	430250400	430300001(x4)
Dig IN	Dig In x 4 -Gnd	Molex	Nano Fit	6	1054051106	1053081206	1053002100(x6)



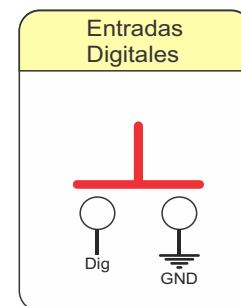
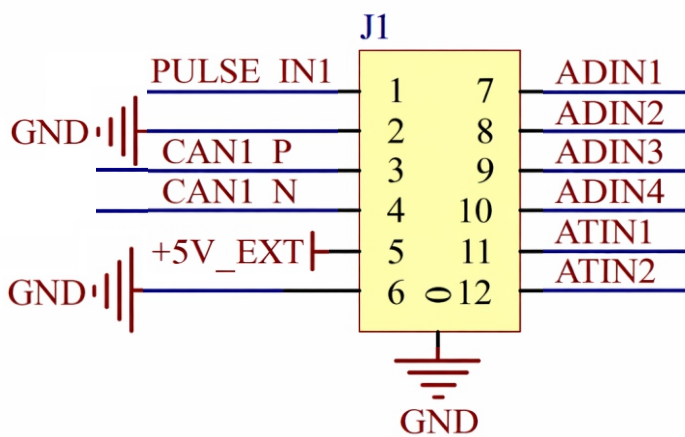
Función	Descripción	Manufacture	Familia	Pines	Header	Housing	Pin (Reel)
Auxiliar IO	Integrada IO	Molex	Micro-Fit 3.0	12	430451218	430251200	430300001

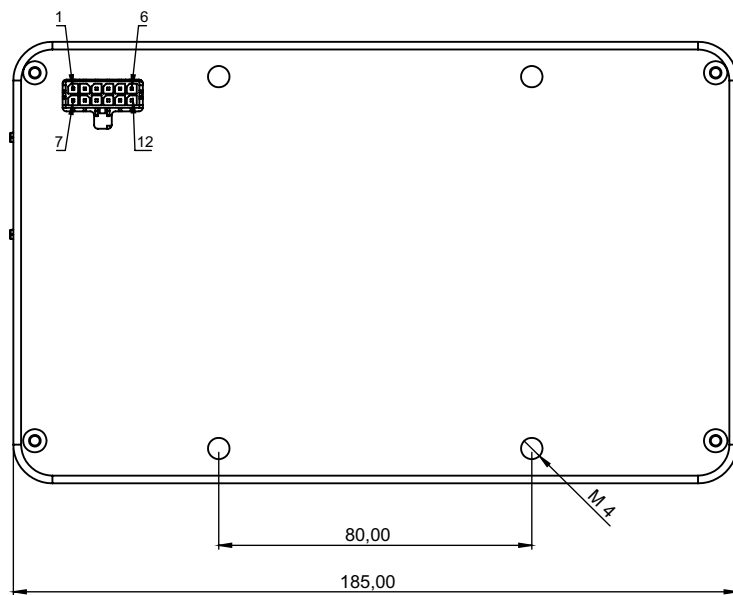
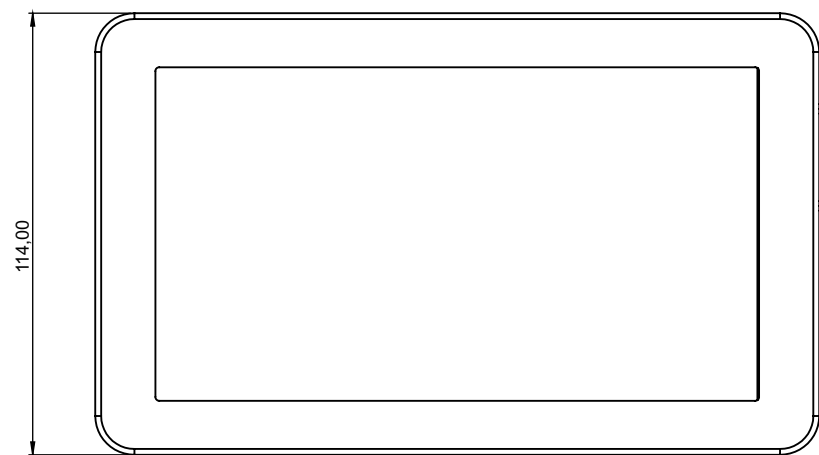
Vista frontal



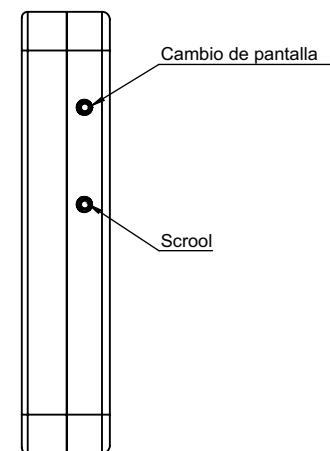
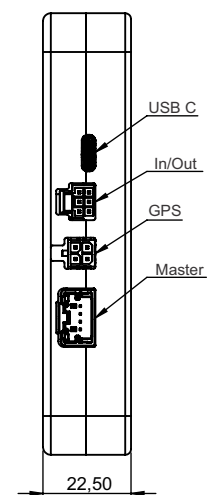
Pin Out Conector trasero

1	PULSE IN	7	ADIN 1	Pres. Aceite
2	GND	8	ADIN 2	Pres. Nafta
3	CAN P	9	ADIN 3	Aux 1
4	CAN N	10	ADIN 4	Aux 2
5	5V	11	ATIN 1	Temp. Agua
6	GND	12	ATIN 2	Temp. Aceite



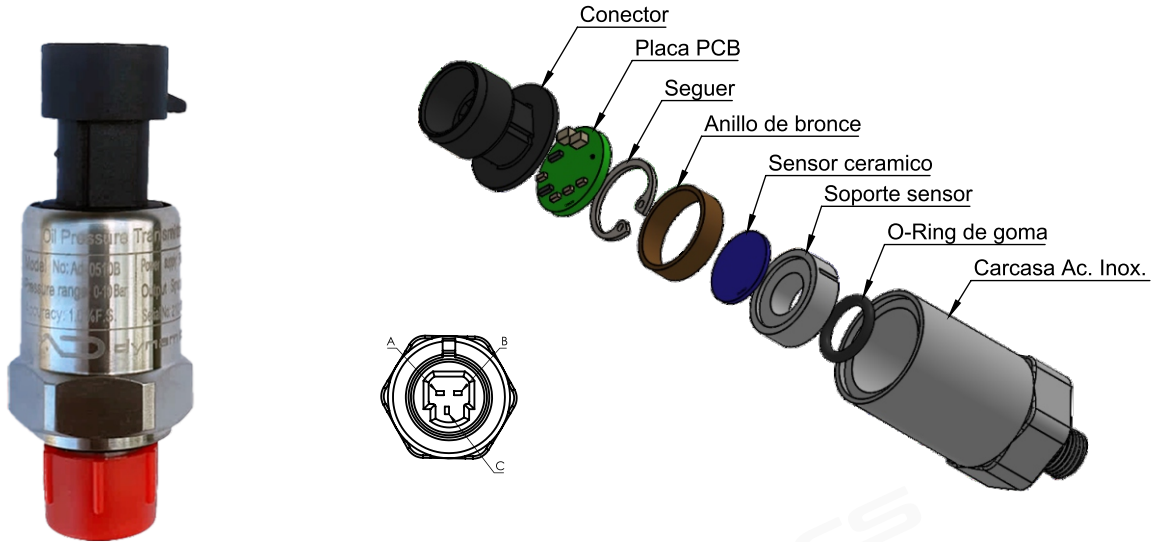


PIN OUT	
1	PULSE IN 1
2	GND
3	CAN +
4	CAN -
5	5V EXT
6	GND
7	ADIN 1
8	ADIN 2
9	ADIN 3
10	ADIN 4
11	ATIN 1
12	ATIN 2



Tolerancia gral.	Escala 1:1		Denominación: ADZI-SG Descripción:	Nº Plano
Rugosidad gral.	Formato A2			
dj bu Aprobado				

AdS-0510B Sensor de Presión 10 Bar



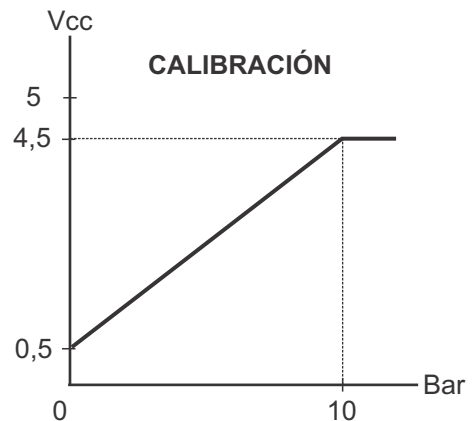
CALIBRATION CERTIFICATE

Pressure Transmitter

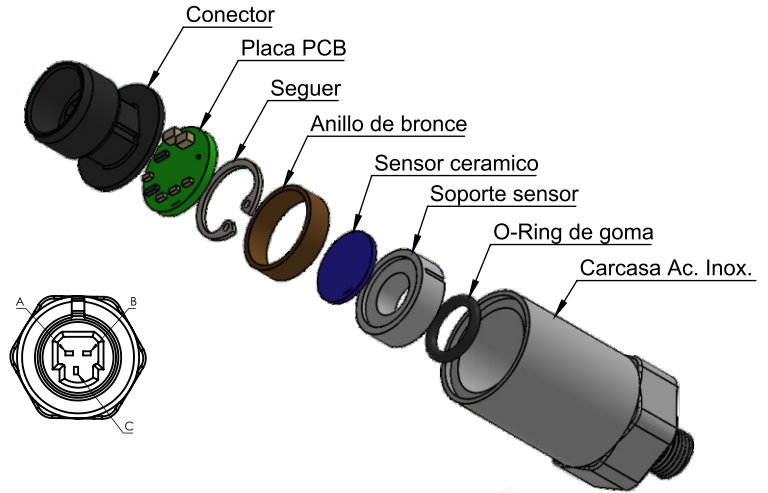
Specifications	Unit	Results
Pressure Range	bar	0-10
Supply Voltage	VDC	<input type="checkbox"/> 24; <input checked="" type="checkbox"/> Other: 5
Output Signal@FS	V	<input checked="" type="checkbox"/> 0.5-4.5; <input type="checkbox"/> Other:
Combined Error	%FS	<input checked="" type="checkbox"/> 0.5; <input type="checkbox"/> 1.0; <input type="checkbox"/> Other:
Overload Pressure	%FS	<input type="checkbox"/> 120; <input checked="" type="checkbox"/> 150; <input type="checkbox"/> Other:
Long-term Stability	%FS/Year	± 0.5
Shock		20g sinusoidal, 11msec
Vibrations	Hz/10g	5-2000 in the x-y-z directions
Working Temperature	°C	-20~+80
IP Rating		<input checked="" type="checkbox"/> IP67; <input type="checkbox"/> IP65; <input type="checkbox"/> IP45;
Pressure Type		<input checked="" type="checkbox"/> Gauge; <input type="checkbox"/> Absolute;
Pressure Connection Type		<input checked="" type="checkbox"/> G1/4; <input type="checkbox"/> G1/2; <input type="checkbox"/> R1/4; <input type="checkbox"/> NPT1/4; <input type="checkbox"/> M20x1.5; <input type="checkbox"/> 7/16-20UNF female; <input type="checkbox"/> Other:
Electrical Connection	<input checked="" type="checkbox"/> Packard plug 	Define Cable A GND Black B Vcc(+) Red C Signal(+) Blue/Green Shield Yellow
	<input type="checkbox"/> Hirschmann	Pin Define Cable 1 Vcc(+) Red 2 GND Black 3 Signal(+) Blue/Green Shield Yellow
	<input type="checkbox"/> Aviation plug	Pin Define Cable 1 Vcc(+) Red 2 Signal(+) Blue/Green 3 GND Black Shield Yellow
	<input type="checkbox"/> Direct lead	Vcc+(Red) Signal+(Blue/Green) GND:(Black) Shield:(Yellow)
Calibrated By		

CARACTERÍSTICAS

Nombre	Ad-0510B
Rango de Presión	0-10 Bar
Tensión de Alimentación	5V dc
Voltaje de Salida	0.5 - 4.5V
Conector de Rosca	G1/4
Precisión	0.5% F.S
Temperatura	85°C
Resistencia 25°C	100MΩ
Llave de ajuste	Rosca de 24mm
Conector	Packard
Terminales	3
Pines	Pin A GND
	Pin B Vcc
	Pin C Signal



AdS-0501B Sensor de Presión 1 Bar



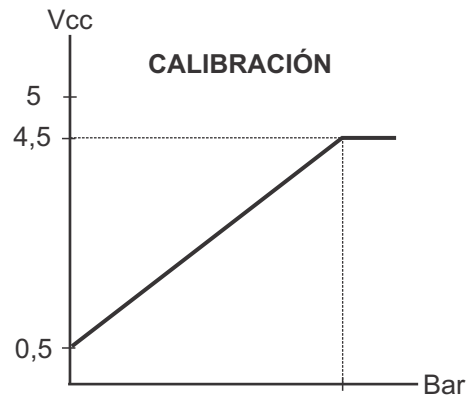
CALIBRATION CERTIFICATE

Pressure Transmitter

Specifications	Unit	Results															
Pressure Range	bar	0-1															
Supply Voltage	VDC	<input type="checkbox"/> 24; <input checked="" type="checkbox"/> Other: 5															
Output Signal@FS	V	<input checked="" type="checkbox"/> 0.5-4.5; <input type="checkbox"/> Other:															
Combined Error	%FS	<input checked="" type="checkbox"/> 0.5; <input type="checkbox"/> 1.0; <input type="checkbox"/> Other:															
Overload Pressure	%FS	<input type="checkbox"/> 120; <input checked="" type="checkbox"/> 150; <input type="checkbox"/> Other:															
Long-term Stability	%FS/Year	± 0.5															
Shock		20g sinusoidal, 11msec															
Vibrations	Hz/10g	5-2000 in the x-y-z directions															
Working Temperature	°C	-20~+80															
IP Rating		<input checked="" type="checkbox"/> IP67; <input type="checkbox"/> IP65; <input type="checkbox"/> IP45;															
Pressure Type		<input checked="" type="checkbox"/> Gauge; <input type="checkbox"/> Absolute;															
Pressure Connection Type		<input type="checkbox"/> G1/4; <input type="checkbox"/> G1/2; <input type="checkbox"/> R1/4; <input type="checkbox"/> NPT1/4; <input type="checkbox"/> M20x1.5; <input type="checkbox"/> 7/16-20UNF female <input checked="" type="checkbox"/> Other: NPT1/8															
Electrical Connection	Packard plug	<table border="1"> <tr><th>Pin</th><th>Define</th><th>Cable</th></tr> <tr><td>A</td><td>GND</td><td>Black</td></tr> <tr><td>B</td><td>Vcc(+)</td><td>Red</td></tr> <tr><td>C</td><td>Signal(+)</td><td>Blue/Green</td></tr> <tr><td>Shield</td><td></td><td>Yellow</td></tr> </table>	Pin	Define	Cable	A	GND	Black	B	Vcc(+)	Red	C	Signal(+)	Blue/Green	Shield		Yellow
	Pin	Define	Cable														
	A	GND	Black														
	B	Vcc(+)	Red														
C	Signal(+)	Blue/Green															
Shield		Yellow															
Hirschmann	<table border="1"> <tr><th>Pin</th><th>Define</th><th>Cable</th></tr> <tr><td>1</td><td>Vcc(+)</td><td>Red</td></tr> <tr><td>2</td><td>GND</td><td>Black</td></tr> <tr><td>3</td><td>Signal(+)</td><td>Blue/Green</td></tr> <tr><td>Shield</td><td></td><td>Yellow</td></tr> </table>	Pin	Define	Cable	1	Vcc(+)	Red	2	GND	Black	3	Signal(+)	Blue/Green	Shield		Yellow	
Pin	Define	Cable															
1	Vcc(+)	Red															
2	GND	Black															
3	Signal(+)	Blue/Green															
Shield		Yellow															
Aviation plug	<table border="1"> <tr><th>Pin</th><th>Define</th><th>Cable</th></tr> <tr><td>1</td><td>Vcc(+)</td><td>Red</td></tr> <tr><td>2</td><td>Signal(+)</td><td>Blue/Green</td></tr> <tr><td>3</td><td>GND</td><td>Black</td></tr> </table>	Pin	Define	Cable	1	Vcc(+)	Red	2	Signal(+)	Blue/Green	3	GND	Black				
Pin	Define	Cable															
1	Vcc(+)	Red															
2	Signal(+)	Blue/Green															
3	GND	Black															
Direct lead	<table border="1"> <tr><th>Define</th><th>Cable</th></tr> <tr><td>Vcc+ (Red)</td><td>Red</td></tr> <tr><td>Signal+ (Blue/Green)</td><td>Blue/Green</td></tr> <tr><td>GND (Black)</td><td>Black</td></tr> <tr><td>Shield (Yellow)</td><td>Yellow</td></tr> </table>	Define	Cable	Vcc+ (Red)	Red	Signal+ (Blue/Green)	Blue/Green	GND (Black)	Black	Shield (Yellow)	Yellow						
Define	Cable																
Vcc+ (Red)	Red																
Signal+ (Blue/Green)	Blue/Green																
GND (Black)	Black																
Shield (Yellow)	Yellow																
Calibrated By																	

CARACTERÍSTICAS

Nombre	Ad-0501B	
Rango de Presión	0-1 Bar	
Tensión de Alimentación	5V dc	
Voltaje de Salida	0.5 - 4.5V	
Conector Rosca	NPT1/8	
Precisión	0.5% F.S	
Temperatura	85°C	
Resistencia 25°C	100MΩ	
Llave de ajuste	Rosca de 24mm	
Conector	Packard	
Terminales	3	
Pines	Pin A	GND
	Pin B	Vcc
	Pin C	Signal



AdS-TS Sensor de temperatura agua y aceite analógico tipo NTC 150°C



CARACTERÍSTICAS

Resistencia 25°C	3KΩ
Terminales	2
Conector	Mini-Timer
Llave de ajuste	19mm
Rosca	M12x1.5
Peso	26g

CURVA CARACTERÍSTICA

